



DC Generator Model 5033

Model 5033 DC generating system includes a generator and a remotely-located power conditioning unit (PCU). The generator is a brushless, six-phase homopolar inductor alternator employing a field coil to control the output voltage over the specified speed range.

The PCU contains the voltage reference and feedback circuitry typical of generators of this design. This generator was developed for an aerial target drone and is in service with the US Army and Air Force.



Specifications

Output voltage:

28 VDC +/- 1 VDC

Cooling:

RAM air

Speed Range:

30,000 to 40,000 RPM

Weight:

12.0 lbs

Overspeed:

44,000 RPM

Ambient:

-54 C to 85 C

Efficiency:

70% at rated load

Altitude:

0 to 40,000 ft

Rating:

1.2 KW

Life:

20 hours

Duty Cycle:

2 hours, continuous

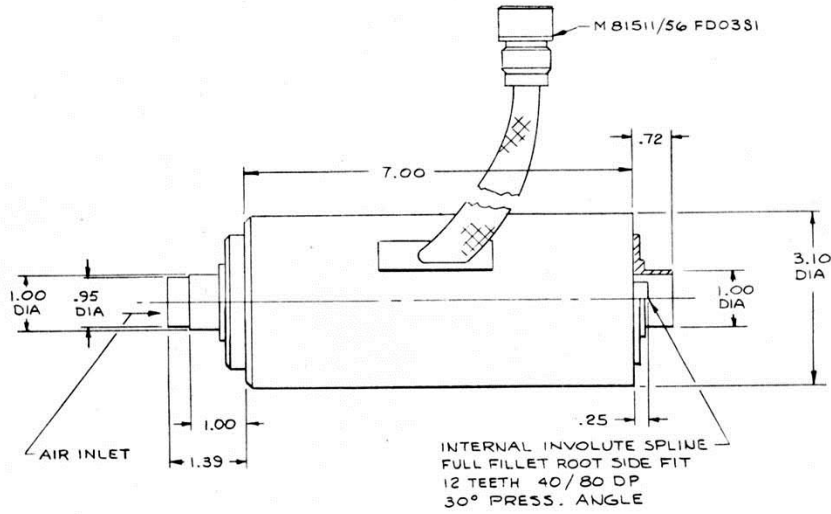
Compliance:

MIL-STD-704
MIL-STD-461
MIL-STD-810B

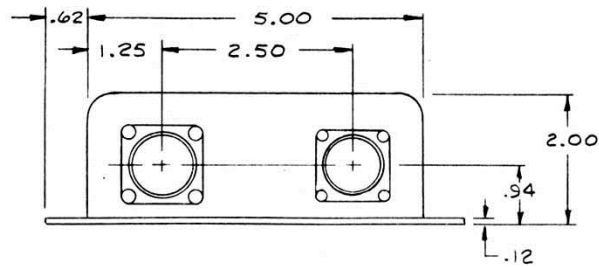
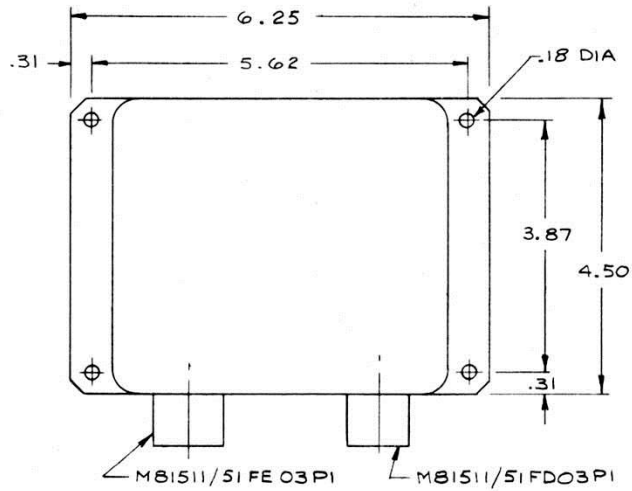
OEKO

Our product competencies and services:
Permanent magnet alternators | Permanent magnet generators | AC/DC brushless starter generators | Aircraft light dimmers
Power supplies | Magnetics | Sensors | Meters

© OEKO | 2015



GENERATOR



OECO

4607 SE International Way
Milwaukie OR 97222
USA

Tel: +1 (503) 659 5999

www.oeco.com
www.meggitt.com