



Alternator Model 5100

Model 5100 is a permanent magnet brushless type synchronous alternator with an externally mounted PCU.

The alternator is integrally mounted on a gas turbine engine which provides power for a reconnaissance drone.

High-energy product Samarium Cobalt magnets provide a high power to size and weight ratio.



Specifications

Speed Range:

48,000 to 62,000 RPM

Cooling:

Blast air

Overspeed:

72,000 RPM

Efficiency:

75%

Overload:

80 Amps

Duty Cycle:

Continuous

Weight:

1.76 lbs

Ambient:

-54 C to 85 C

Altitude:

0 to 65,000 ft

Life:

500 hours

Compliance:

MIL-STD-704
MIL-E-5400
MIL-STD-810B

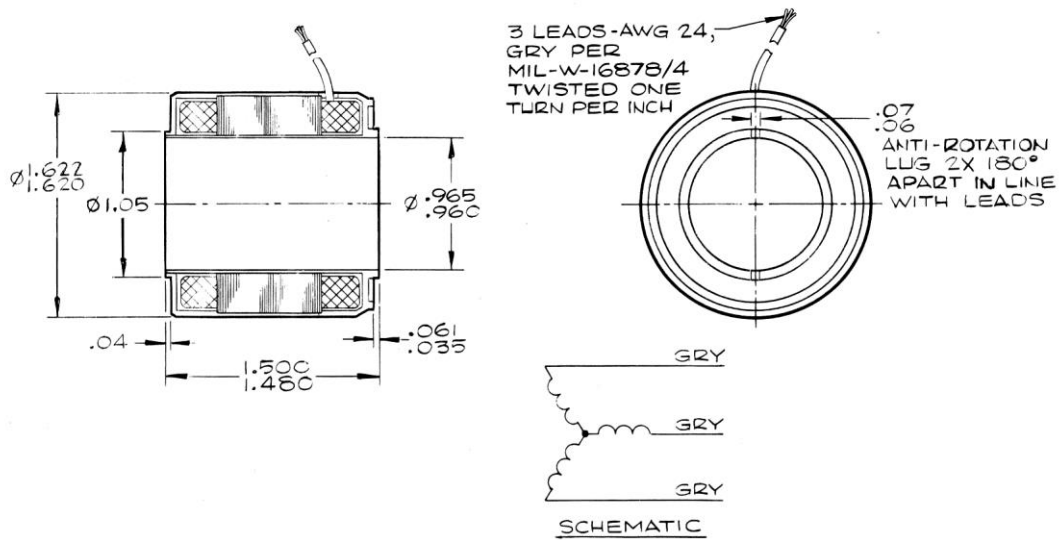
OEKO

Our product competencies and services:

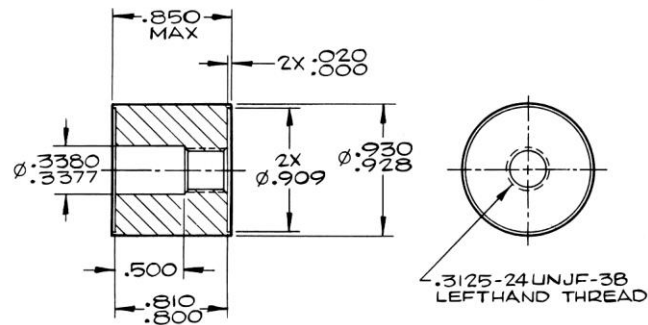
Permanent magnet alternators | Permanent magnet generators | AC/DC brushless starter generators | Aircraft light dimmers

Power supplies | Magnetics | Sensors | Meters

© OEKO | 2015



STATOR ASSEMBLY



ROTOR ASSEMBLY

OECO

4607 SE International Way
 Milwaukie OR 97222
 USA

Tel: +1 (503) 659 5999

www.oeco.com
 www.meggitt.com