

# AC Generator Model 5142

Model 5142 brushless generator is a wound field, salient pole, and synchronous machine with its own permanent magnet section for complete self-excitation.

The separate generator control unit contains a pulse width modulated regulator. Together with the current transformer, the GCU provides all the protective functions as listed.

The generator system was developed for the Falcon Jet, Guardian HU-25A aircraft.



## Specifications

### Voltage:

120/208 VAC

### Frequency:

400 HZ

### Speed Range:

10,800 to 13,200 RPM

### Weight:

22.5 lbs

### Overspeed:

15,000 RPM

### Altitude:

0 to 35,000 ft

### Efficiency:

87% @ rated load

### Regulation:

+/- 2.5 VAC

### Rating:

5 KVA

### Compliance:

MIL-STD-704B  
MIL-STD-461A  
MIL-G-21480  
MIL-G-6099(1)

### Cooling:

Air

### Power factor:

.75 LAG to unity

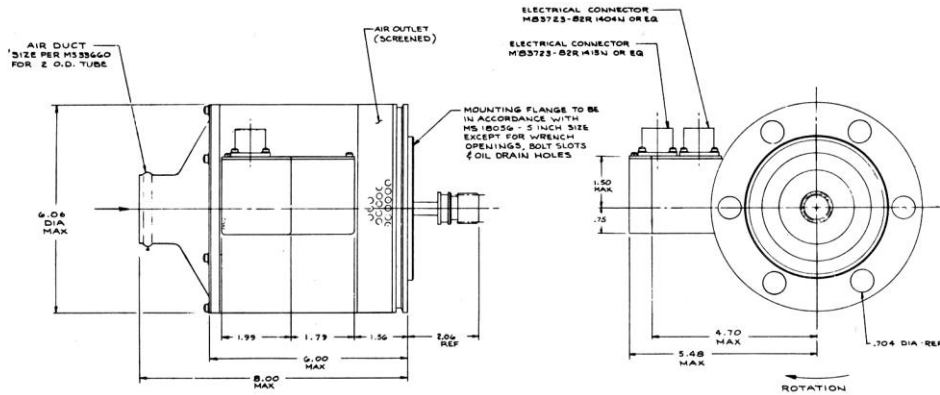
### Ambient:

-18 C to 85 C

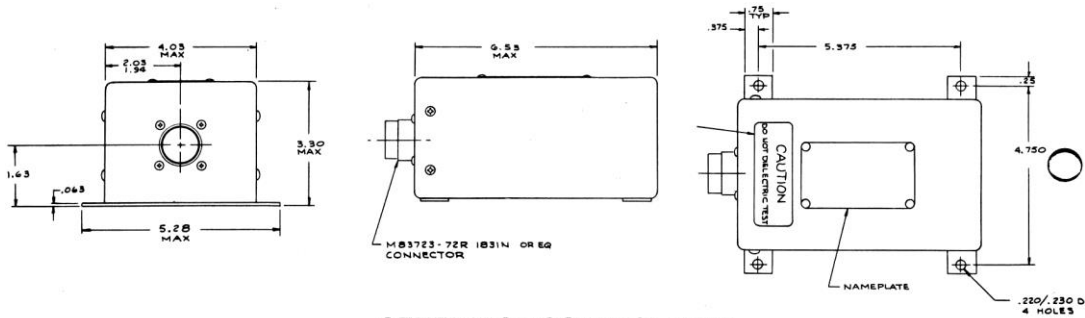
## OEKO

Our product competencies and services:  
Permanent magnet alternators | Permanent magnet generators | AC/DC brushless starter generators | Aircraft light dimmers  
Power supplies | Magnetics | Sensors | Meters

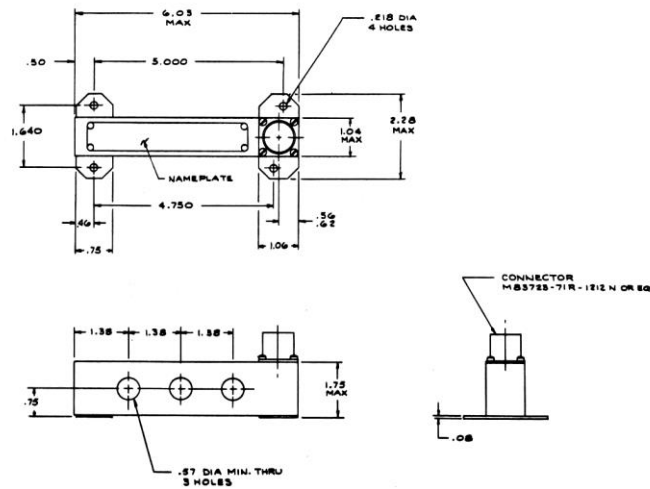
© OEKO | 2015



**GENERATOR**



**GENERATOR CONTROL UNIT**



**CURRENT TRANSFORMER**