

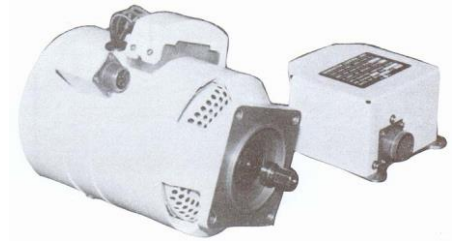


AC Generator Model 5240

Model 5240 electrical power generator system consists of an AC generator and a generator control unit. The 400 hertz, alternating current, three phase, four wire generator is a self-excited, self-cooled, brushless design.

The machine incorporates a permanent magnet generator (PMG) and an exciter generator for self-excitation and output voltage regulation.

The generator control unit (GCU) provides system output monitoring and voltage regulation. The GCU also provides the protective functions listed, and controls the system power contactor.



Specifications

Voltage:

115/200 VAC

Frequency:

400 HZ

Speed Range:

10,800 to 13,200 RPM

Weight:

22.5 lbs

Overspeed:

15,000 RPM

Regulation:

112.5 – 117.5 VAC

Efficiency:

83% @ rated load

Compliance:

MIL-STD-461

MIL-STD-454

MIL-E-5400

MIL-E-5272

MIL-G-21480/16A

MS-33543

Rating:

10 KVA

Cooling:

Internal fan

Ambient:

-55 C to 71 C

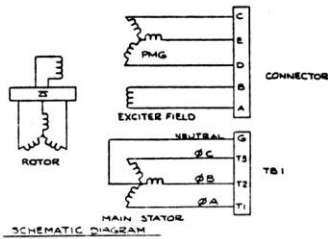
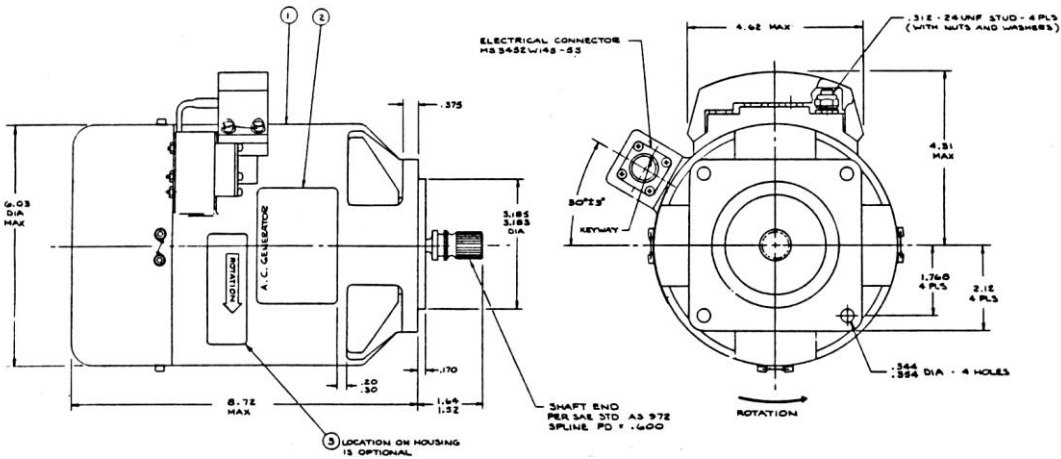
Power factor:

.75 LAG to unity

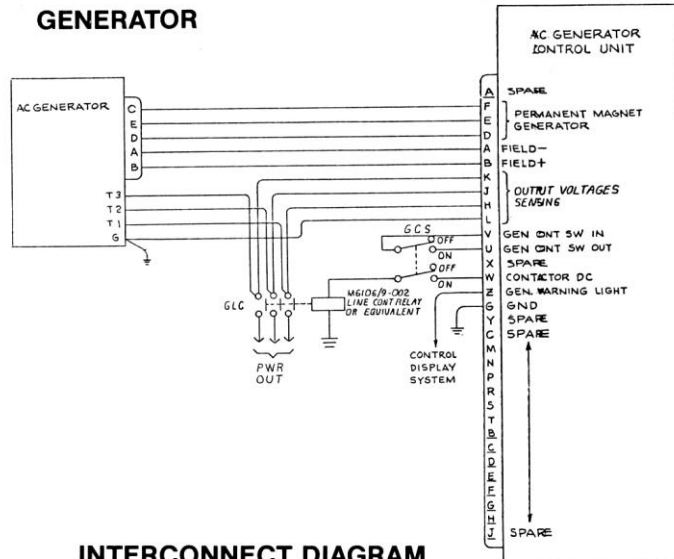
OEKO

Our product competencies and services:
Permanent magnet alternators | [Permanent magnet generators](#) | AC/DC brushless starter generators | Aircraft light dimmers
Power supplies | Magnetics | Sensors | Meters

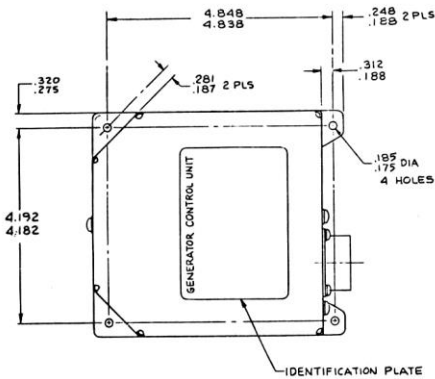
© OEKO | 2015



GENERATOR



INTERCONNECT DIAGRAM



GENERATOR CONTROL UNIT

