



# AC Generator Model 5289

Model 5289 is a custom designed permanent magnet generator that is installed on an engine accessory gearbox providing power for a FADEC and ignition exciter.

The rotor is a segmented permanent magnet construction utilizing high-energy magnets to form the multipole generator. The stator section windings are positioned in the field poles of the stator to provide optimum output. The four sets of windings are independent and prohibit circuit interaction. The generator can sustain continuous short circuit operation.



## Specifications

### Speed:

22,000 RPM

### Weight:

1.5 lbs

### Power:

55 W / channel @ 13,644 RPM

### Altitude:

0 to 15,000 ft

### Cooling:

Air / oil bath

### Compliance:

MIL-STD-461A

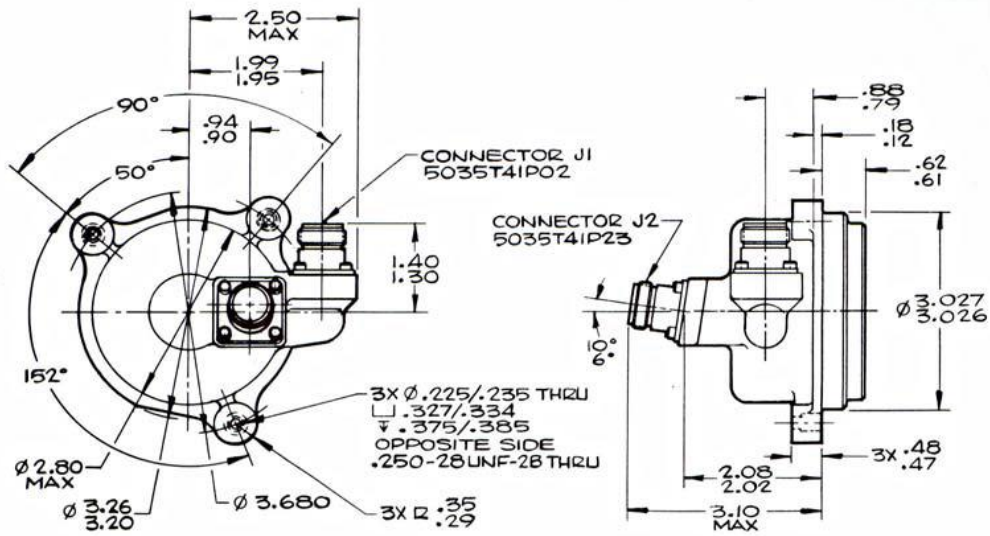
MIL-STD-462

MIL-STD-810B

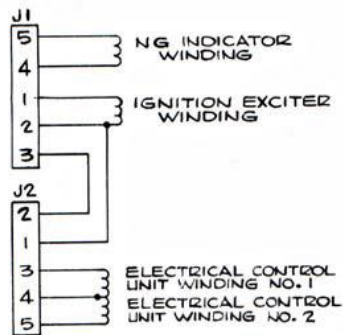
## OEKO

Our product competencies and services:  
Permanent magnet alternators | [Permanent magnet generators](#) | AC/DC brushless starter generators | Aircraft light dimmers  
Power supplies | Magnetics | Sensors | Meters

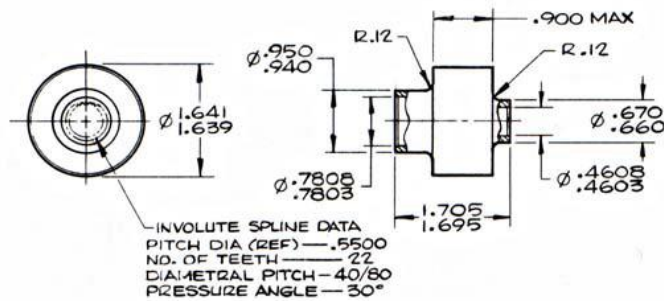
© OEKO | 2015



**STATOR ASSEMBLY**



**ELECTRICAL SCHEMATIC**



**ROTOR ASSEMBLY**