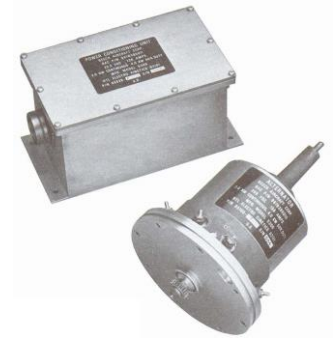


# Generator system Model 5306

Model 5306 generating system comprises an alternator and a remote power conditioning unit (PCU). The alternator is a brushless, two-bearing machine of the hybrid-homopolar inductor type for a closely regulated voltage.

The PCU features a solid-state switching regulator circuit that is effective between no-load and full load, and at speeds between 20,650 RPM and 29,500 RPM. Both the alternator and power conditioning units are watertight and can be reused after recovery from a salt-water immersion.



## Specifications

### Voltage:

Generator- 22 VDC  
PCU- 26.5 to 34 VDC

### Speed Range:

20,650 to 29,500 RPM

### Overspeed:

35,000 RPM

### MTBF:

Generator- 1500 hours  
PCU- 3000 hours

### Cooling:

Generator- convection @ 4 lbs / min  
PCU- cold plate @ 2 lbs / min

### Frequency:

1032 HZ to 1475 HZ

### Weight:

16.9 lbs

### Ambient:

-48 C to 71 C

### Altitude:

0 to 40,000 ft

### Compliance:

MIL-STD-704C  
MIL-STD-461

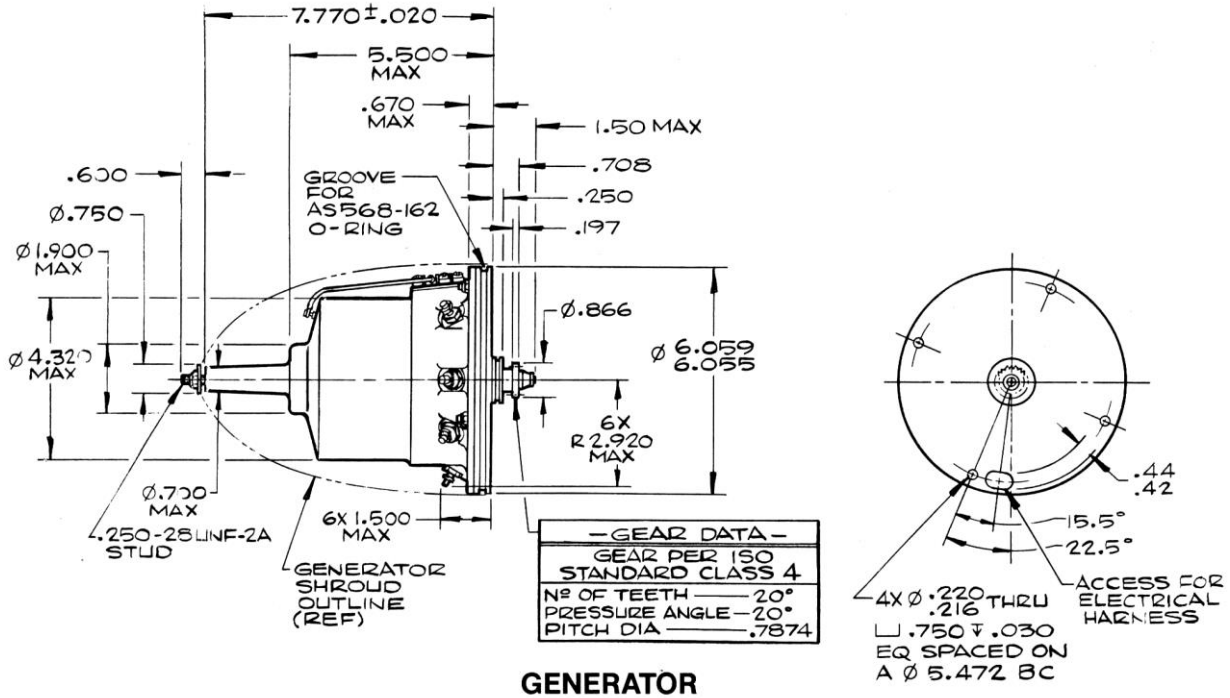
### Power factor:

.95 Lag to unit

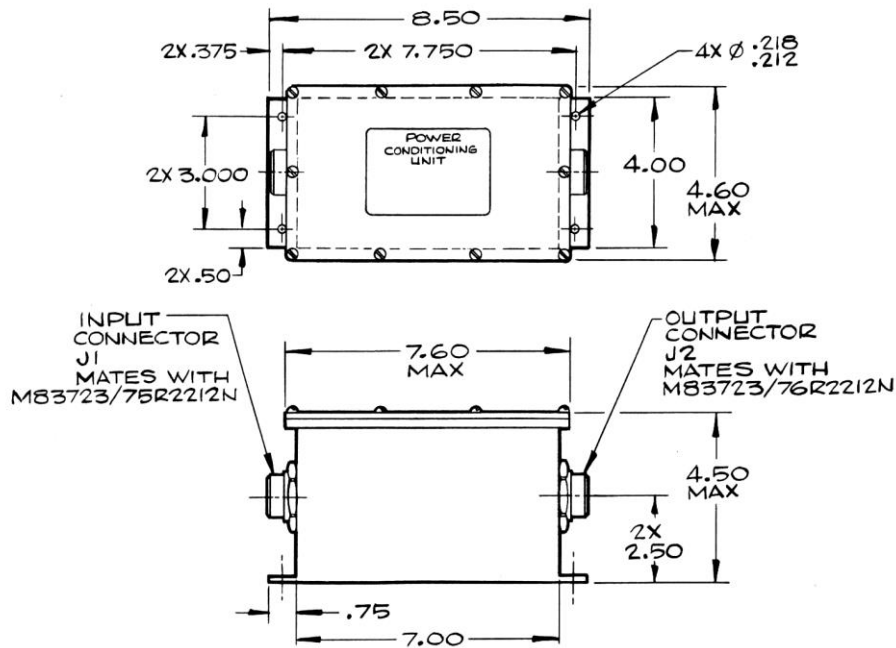
## OEKO

Our product competencies and services:  
Permanent magnet alternators | Permanent magnet generators | AC/DC brushless starter generators | Aircraft light dimmers  
Power supplies | Magnetics | Sensors | Meters

© OEKO | 2015



**GENERATOR**



**POWER CONDITIONING UNIT**