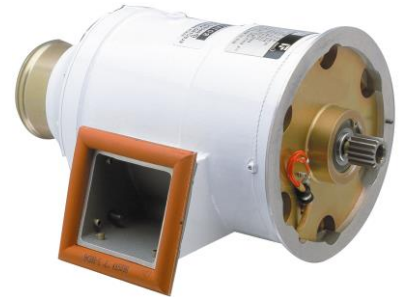




AC Generator Model 5482

Model 5482 consists of an AC generator, a QAD mounting kit and a GCU. The alternator is a brushless, wound field synchronous unit, whose excitation is provided by the aircraft DC power.

The GCU monitors the system output power and regulates the voltage. The power from the generator is used to energize a heating element located in the leading edge of the aircraft horizontal stabilizer.



Specifications

Voltage:

115/200 VAC

Frequency:

200 to 400 HZ

Speed Range:

6000 to 12,000 RPM

Weight:

26 lbs

Overspeed:

14,000 RPM

Altitude:

0 to 22,000 ft

Efficiency:

89% @ rated load

Regulation:

115 +/- 3.5 VAC

Rating:

7.5 KVA

Compliance:

MIL-STD-810C
MIL-STD-461A
MIL-STD-462
FAR PART 35
FAR PART 37

Cooling:

Internal fan

Power factor:

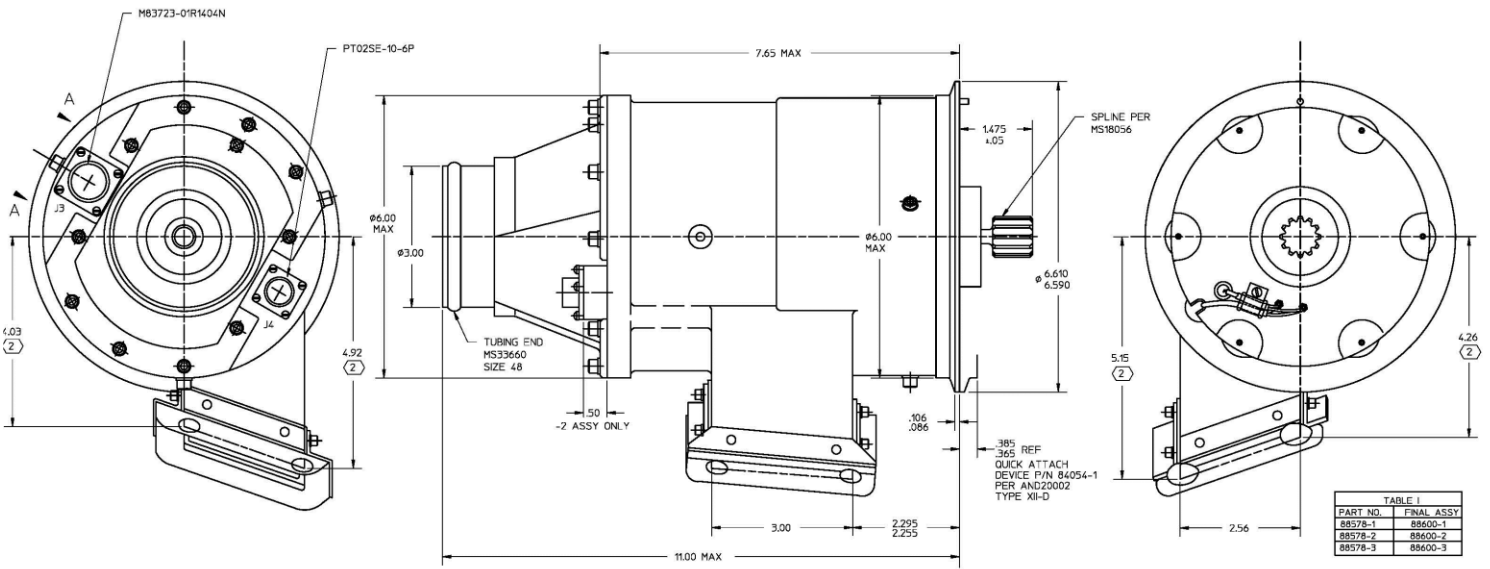
.95 LAG to unity

Ambient:

-50 C to 55 C

OEKO

Our product competencies and services:
Permanent magnet alternators | Permanent magnet generators | AC/DC brushless starter generators | Aircraft light dimmers
Power supplies | Magnetics | Sensors | Meters



OECO

4607 SE International Way
 Milwaukie OR 97222
 USA

Tel: +1 (503) 659 5999

www.oeco.com
 www.meggitt.com