



AC Generator Model 5555

Model 5555 consists of an AC generator and a power control unit (PCU). This unit provides de-icing power for the Cessna 560XL aircraft.

The three phase, AC generator is of synchronous type. It features an exciter to enable brushless operation.

The PCU controls the operation of the generator by regulating its output and protecting the system as listed.



Specifications

Voltage:

115/200 VAC

Frequency:

400 HZ

Speed Range:

5572 to 11,881 RPM

Weight:

16 lbs

Overspeed:

14,000 RPM

Regulation:

115 +/- 3.5 VAC

Efficiency:

89% @ rated load

Compliance:

MIL-STD-810C
MIL-STD-461A
MIL-STD-462
FAR Part 35
FAR Part 37

Rating:

3 KVA continuous

Cooling:

Internal fan & blast air

Ambient:

-55 C to 85 C

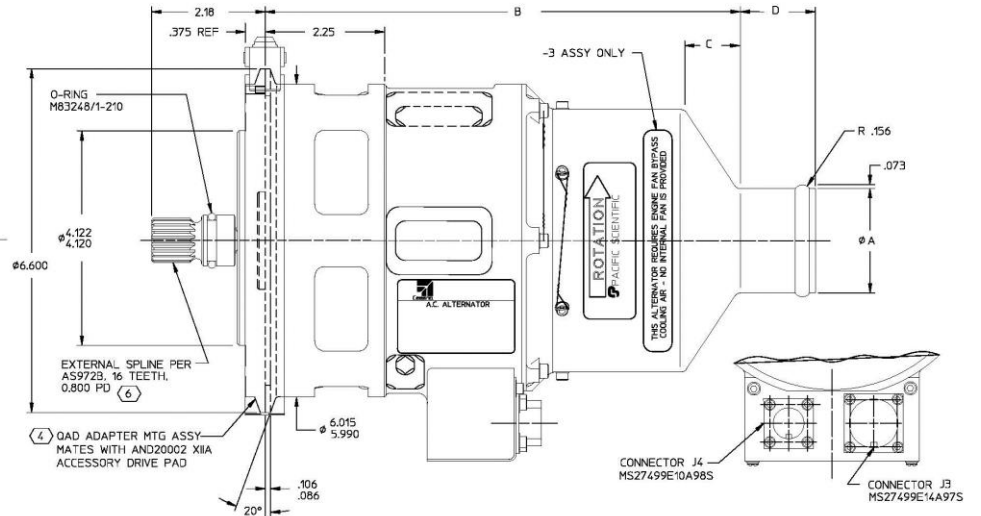
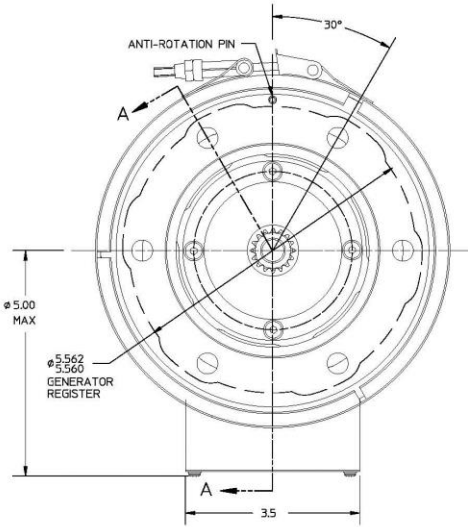
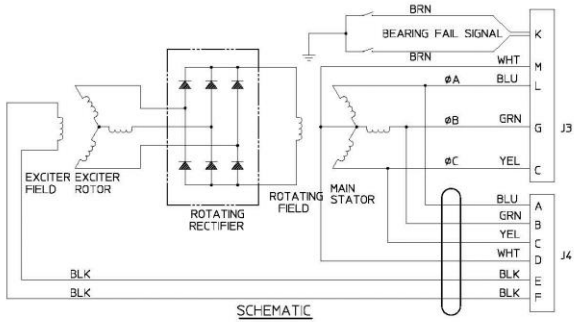
Power factor:

.95 LAG to unity

OEKO

Our product competencies and services:
Permanent magnet alternators | [Permanent magnet generators](#) | AC/DC brushless starter generators | Aircraft light dimmers
Power supplies | Magnetics | Sensors | Meters

© OEKO | 2015



OECO

4607 SE International Way
 Milwaukie OR 97222
 USA

Tel: +1 (503) 659 5999

www.oeco.com
 www.meggitt.com