



Permanent magnet alternator

Model 5576

Model 5576 provides electrical power for a FADEC system used on the PW306A, a Pratt & Whitney Canada commercial aircraft engine.

The rotor is a sleeved unit employing high energy magnets. The stator comprises epoxy-bonded laminations and dual three phase windings. A titanium housing locates the stator and interfaces with the mounting pad. The alternator is a gear driven from an engine accessory gear box.



Specifications

Overspeed:

13,513 RPM for 1 minute

Weight:

3.15 lbs

Ambient:

-54 C to 177 C

Altitude:

0 to 50,000 ft

Cooling:

Convection / conduction

Compliance:

MIL-STD-461B

Electrical:

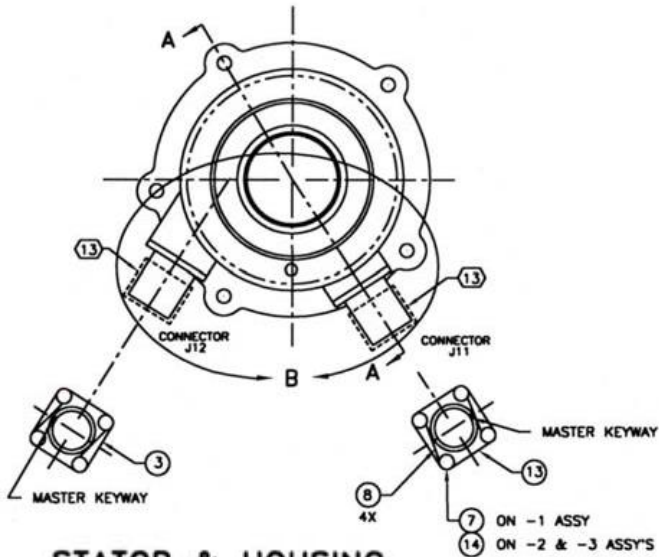
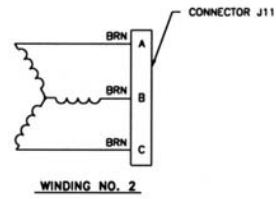
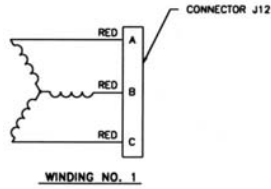
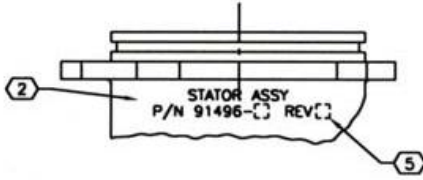
Dual redundant 3 phase WYE windings

OEKO

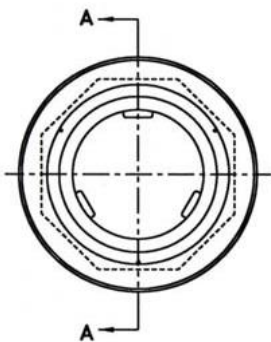
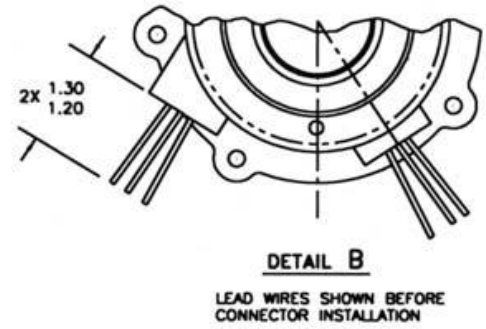
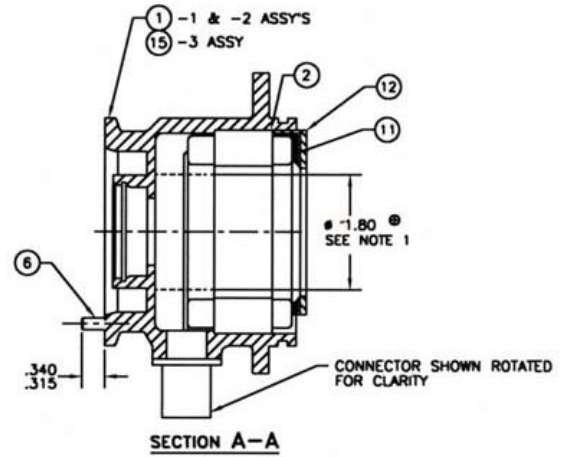
Our product competencies and services:

Permanent magnet alternators | Permanent magnet generators | AC/DC brushless starter generators | Aircraft light dimmers
Power supplies | Magnetics | Sensors | Meters

© OEKO | 2015



STATOR & HOUSING ASSEMBLY



ROTOR ASSEMBLY

