



Permanent magnet alternator Model 5605

Model 5605 provides electrical power for a FADEC system used on the PW306B, a Pratt & Whitney Canada commercial aircraft engine.

The rotor is a sleeved unit employing high energy magnets. The stator comprises epoxy bonded laminations and a continuous three phase winding. A cast titanium housing locates the stator and interfaces with the mounting pad. The alternator is gear driven from an engine accessory gear box.



Specifications

Overspeed:

13,513 RPM for 1 minute

Weight:

3.15 lbs

Ambient:

-54 C to 177 C

Altitude:

0 to 50,000 ft

Cooling:

Convection / conduction

Compliance:

MIL-STD-461B
RTCA-DO-160D

Electrical:

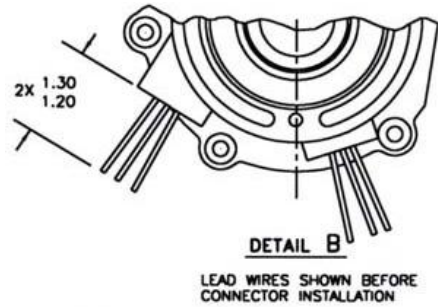
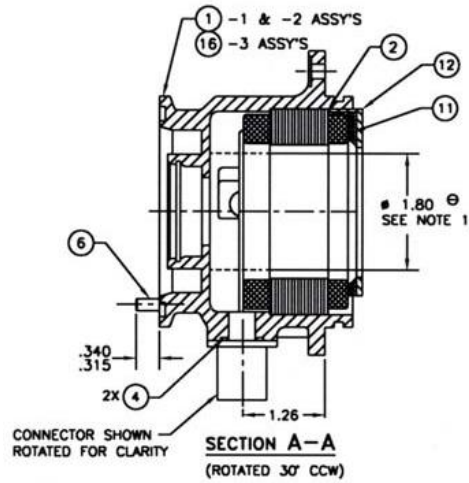
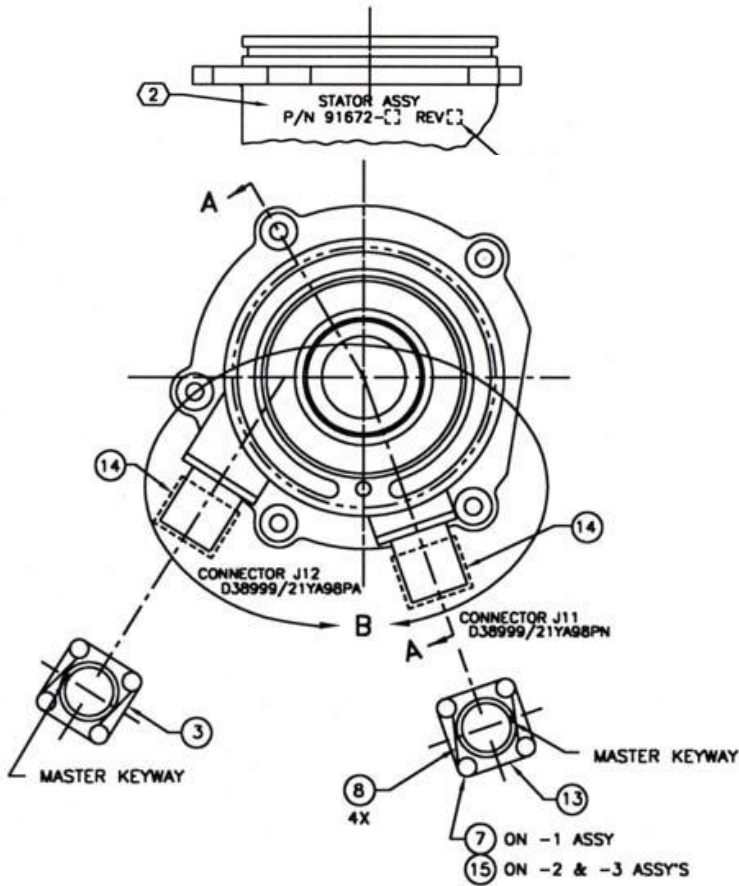
Dual 3 phase WYE windings

OEKO

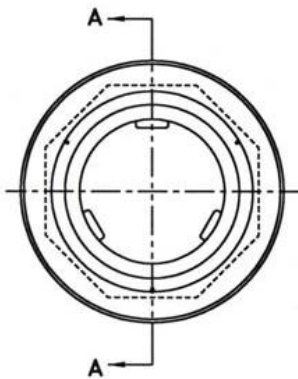
Our product competencies and services:

Permanent magnet alternators | Permanent magnet generators | AC/DC brushless starter generators | Aircraft light dimmers
Power supplies | Magnetics | Sensors | Meters

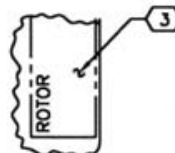
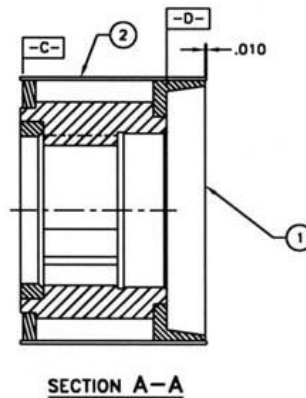
© OEKO | 2015



STATOR / HOUSING ASSEMBLY



ROTOR ASSEMBLY



OECO

4607 SE International Way
 Milwaukie OR 97222
 USA

Tel: +1 (503) 659 5999

www.oeco.com
 www.meggitt.com